



HANDLING, STORAGE AND LOADING
(LARGE FORMATS)

INDEX

1. MANUAL HANDLING	1
2. HANDLING AND STORAGE USING LIFTING MACHINERY	2
3. LOADING CAPACITY	5

1. MANUAL HANDLING



Two people will be needed to remove the pieces from the box.
Remove them slowly in a coordinated way, holding them along the longest side.



Pieces in 150x300 cm / 59.05"x118.11" and 100x250 cm / 39.37"x98.43" formats can be moved with or without a lifting frame, but always in a straight, vertical position.
To ensure a firm grip, the piece and suction cups should both be moistened.

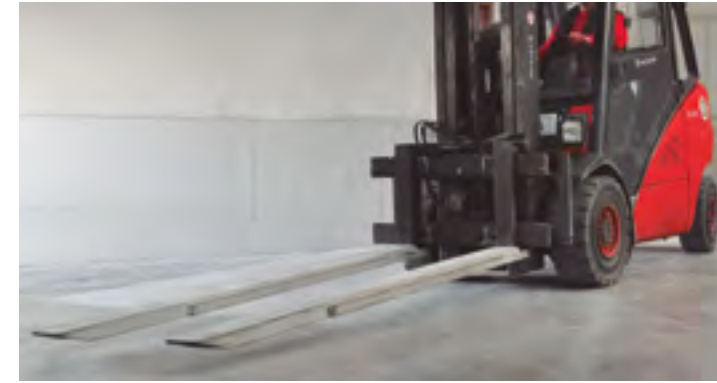


The pieces can be stored in a horizontal or vertical position. Always place pieces of cork or similar materials between them to prevent scratches.
When they are stored horizontally, the piece surface must be clean and the surface on which it is laid must be flat. When they are stored vertically, the pieces must be laid on their longest side on a wood base.

2. HANDLING AND STORAGE USING LIFTING MACHINERY



When forklift trucks are used, the pallet should always be picked up by sliding the forks under the longest side. The forks must have a **minimum distance of 80 cm / 31.50"** between them, with the longest side of the pallet perpendicular to them in such a way that it is centred and fully supported by the forks.



If the pallet must necessarily be picked up with the short side perpendicular to the forks, use forks **at least 2.5 metres / 98.42"** long.

2. HANDLING AND STORAGE USING LIFTING MACHINERY

Before proceeding to load the pallets, check that the fork-lift truck meets the following requirements:

1. The highest point of the fork-lift truck must be less than 2250 mm, because the entrance to the container is 2270 mm high.
2. It must have a triplex mast, with a retracted height of less than 2200 mm. The forks must be able to lift the load 1440 mm without the extended mast reaching a height of over 2270 mm.
3. Inalco recommends the use of fork-lift trucks with a loading capacity of 5000 kg (a 600mm load centre).



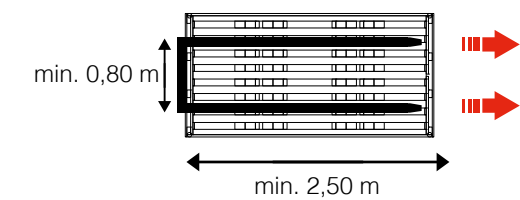
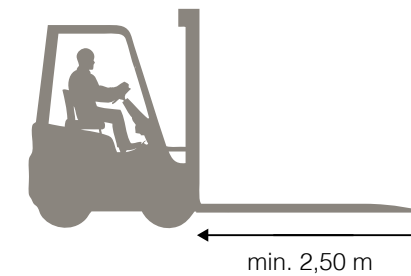
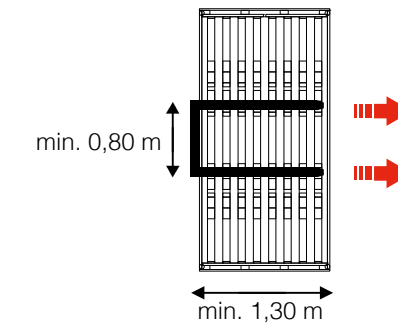
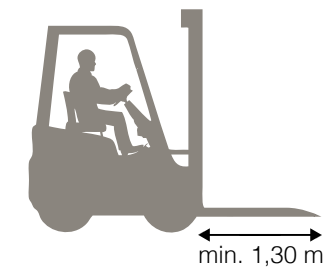
When containers are loaded, enter the pallets with the short side of the box facing forwards, using a fork **at least 2.5 metres / 98.42”** long.



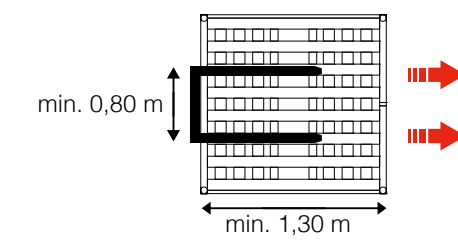
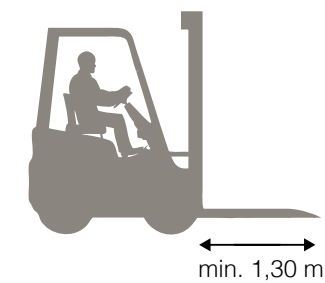
When trucks are loaded, enter the pallets with the long side of the box facing forwards.

2. HANDLING AND STORAGE USING LIFTING MACHINERY

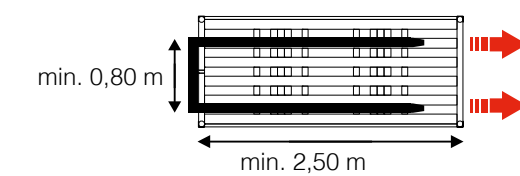
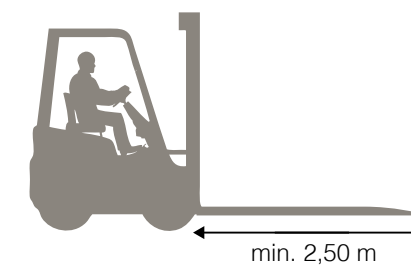
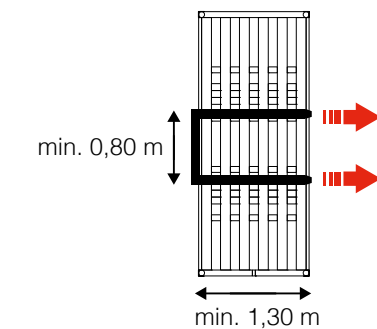
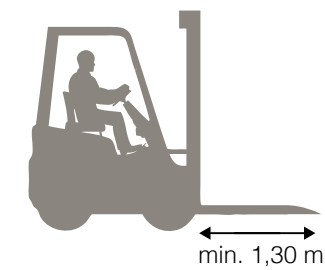
150 x 300 cm iSLIMM RECT



150 x 150 cm iSLIMM RECT



100 x 250 cm iSLIMM RECT



3. LOADING CAPACITY

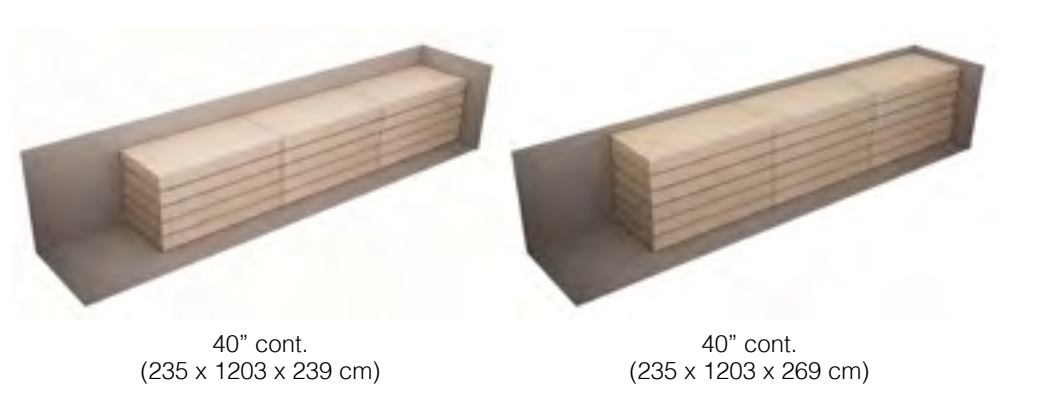
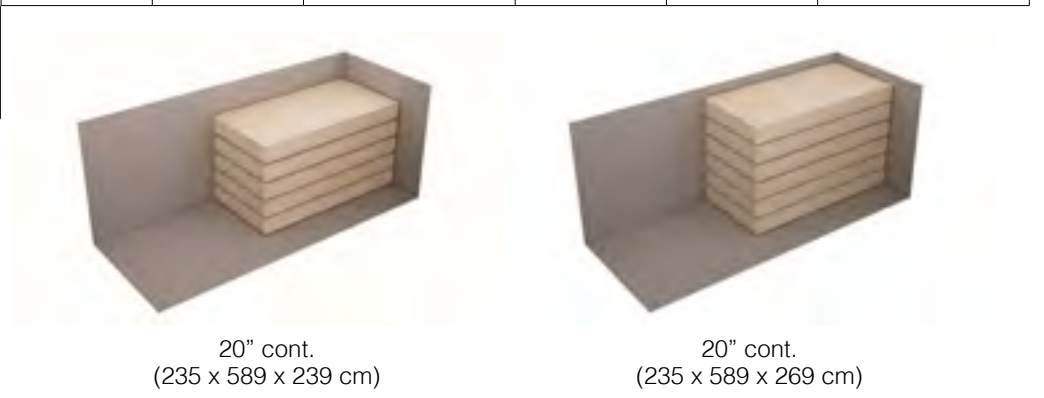
150 x 300 cm iSLIMM RECT

Wooden box: 162 cm (width) x 326 cm (length) x 36 cm (height).



STANDARD / DRY VAN (239 cm)			HIGH CUBE (269 cm)		
20" cont.	40" cont.	Max. height (container)	20" cont.	40" cont.	Max. height (container)
5 boxes 360 m ² 5890 Kg	15 boxes 1080 m ² 17670 Kg	5 boxes	6 boxes 432 m ² 7068 Kg	18 boxes 1296 m ² 21204 Kg	6 boxes

Wooden box	16 pieces 72 m ² 1178 Kg
-------------------	---



13,5 m truck	Max. height (truck)
16 boxes 1152 m ² 18848 Kg	4 boxes



3. LOADING CAPACITY

150 x 150 cm iSLIMM RECT

Wooden box: 168 cm (width) x 162 cm (length) x 31 cm (height).



Wooden box	20" cont.	40" cont.	Max. height (container)	13,5 ml truck	Max. height (container)
20 pieces 45 m ² 725 Kg	18 boxes 810 m ² 13050 Kg	32 boxes 1440 m ² 23200 Kg	6 boxes	32 boxes 1440 m ² 23200 Kg	4 boxes



100 x 250 cm iSLIMM RECT

Wooden box: 112 cm (width) x 268 cm (length) x 31 cm (height).



Wooden box	20" cont.	40" cont.	Max. height (container)	13,5 ml truck	Max. height (truck)
20 pieces 50 m ² 795 Kg	24 boxes 1200 m ² 19392 Kg	29 boxes 1450 m ² 23445 Kg	6 boxes	30 boxes 1500 m ² 23850 Kg	4 boxes





INDUSTRIAS ALCORENSES CONFEDERADAS S.A.

C/ San Salvador,54

12110, Alcora, Castellón (España)

(+34) 964 368 000

www.inalco.eswww.inalcotrends.com

